



**CCWG**

# Call for New 1394b Connectors

Miniature Powered 1394b

Stacked 1394b Products

Max Bassler

[mbassler@interacttech.net](mailto:mbassler@interacttech.net)

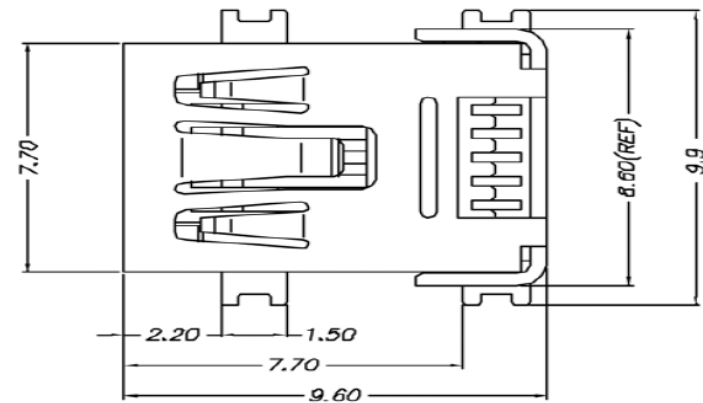
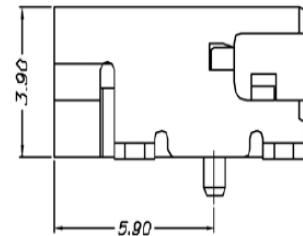
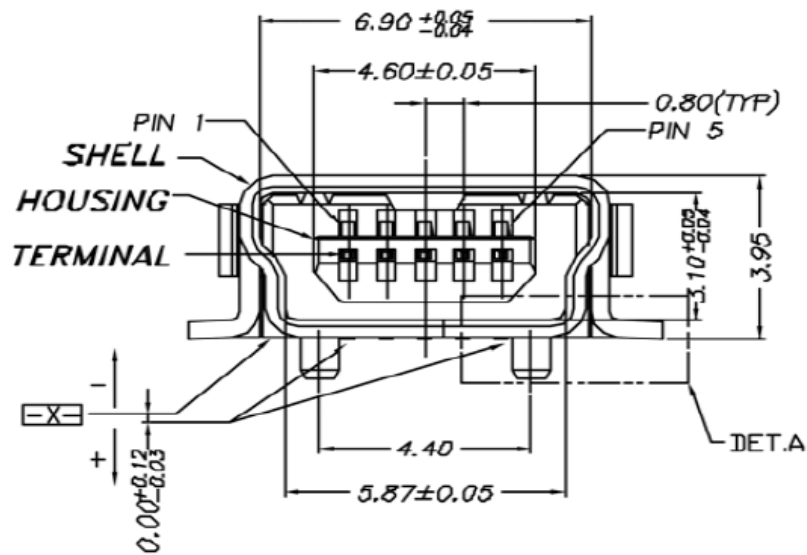
# Base-line Requirements

- The new miniature 1394b should meet the following requirements:
  - Capable of S3200 speeds
  - Provide same power as standard short haul 1394b cable
  - Capable of 4.5 meter cables
  - Proposed to be a form factor similar in size to a mini-USB I/O used on DSC
  - Cost competitive in the market



# Approximate Form Factor

Mini USB connector shown as form factor reference only



# New Stacked 1394b Combos

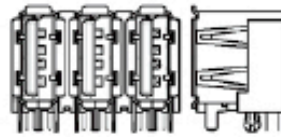
- 1394b over:
  - 1394b
  - CAT 5e/6
  - USB
  - Power
  - What else would be appropriate?
- The stacked I/O needs to meet the performance requirements of the respective individual I/O connectors



# Examples of Stacked I/Os



CAT5 over USB2-A



Triple USB2-A



1394a over 1394a



CAT5 over USB2-A



Four USB2-A



1394-95 over Dual USB2-A



# Call for Proposals

- Anyone wishes to address any of these new connector types are invited to present their concepts in person at our Q3 Sunnyvale CCWG Meeting on July 13, 2010
- If you can not present in person please send your proposals to me via e-mail
  - All proposals will be considered even from non-member companies
- The Goal is to create new 1394 I/O connectors to enable new applications and to be innovative
- Any questions please contact me directly:
  - [mbassler@interacttech.net](mailto:mbassler@interacttech.net)
  - +1 224 522-1394